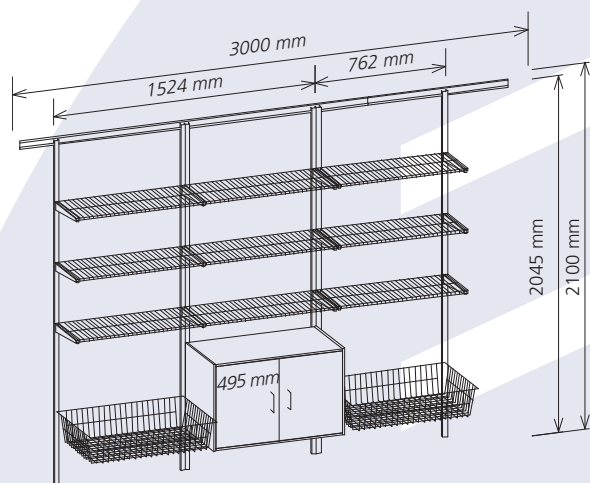




3 Metre Wallspace Storage Solutions

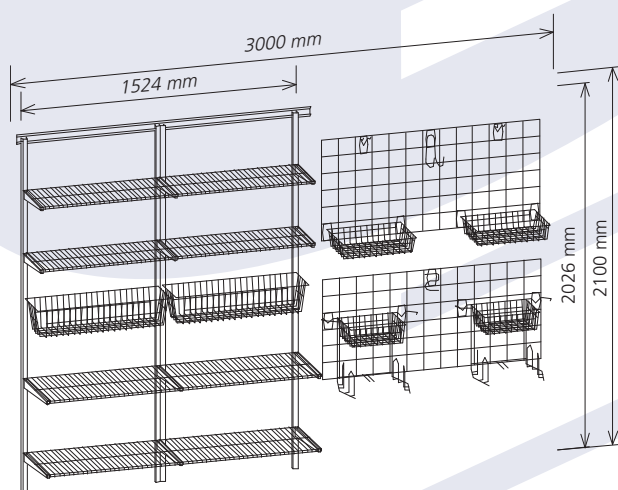
Space saving storage solution ideas that you can mix and match at any time without tools.

- Suspended completely off the floor
- Heavy Duty epoxy coating
- Easy to assemble and install
- Adaptable and changeable
- Heavy gauge steel construction
- Extensive warranty



Module A – 3 Metre

Qty	Colour	Description
3	Granite	305 mm D x 762 mm W Shelf
3	Granite	305 mm D x 1524 mm W Shelf
2	Granite	Big Work Basket
1	Gray	GO-Box Shelf Unit
1	Granite	GO-Box Doors (Pair)
15	Granite	305 mm VSB Profile Shelf
6	Granite	1980 mm Hanging Upright
1	Granite	813 mm Hanging Rail
1	Granite	2032 mm Hanging Rail
6	White	Screws/Spacers/Anchors Package



Module B – 3 Metre

Qty	Colour	Description
2	Granite	305 mm D x 1524 mm W Shelf
2	Granite	406 mm D x 1524 mm W Shelf
2	Granite	The Golf Rack and Basket
1	Gray	The Grip Everything Hook
2	Granite	The Everything Hook
1	Granite	The Big Work Hook
2	Granite	The Basket
2	Granite	Wire Grid
2	Granite	Work Basket
6	Granite	305 mm VSB Profile Shelf
6	Granite	406 mm VSB Profile Shelf
4	Granite	1980 mm Hanging Upright
1	Granite	1626 mm Hanging Rail
6	White	Screws/Spacers/Anchors Package

Distributed by Gliderol Garage Doors

A division of Gliderol International Pty Ltd
ABN 92 007 928 949

An Australian Manufacturing Company

Head Office
South Australia
32 Jacobson Crescent
Holden Hill SA 5088
Adelaide, South Australia

Telephone (08) 8261 9633
Facsimile (08) 8261 9700

New South Wales
3a Alexander Street
Auburn NSW 2144

Telephone (02) 9644 6533
Facsimile (02) 9644 6544

Newcastle
19 Balook Drive
Beresfield NSW 2322

Telephone (02) 4966 8500
Facsimile (02) 4966 8511

Wollongong
Unit 2
1 Luso Drive
Unanderra NSW 2526

Telephone (02) 4272 3220
Facsimile (02) 4272 3084

Queensland
45 Harvey Street North
Eagle Farm QLD 4009

Telephone (07) 3868 2766
Facsimile (07) 3868 2760

Victoria
23 Kitchen Road
Dandenong VIC 3175

Telephone (03) 9793 5455
Facsimile (03) 9706 8492

Western Australia
21 Prindiville Drive
Wangara WA 6065

Telephone (08) 9409 3000
Facsimile (08) 9409 3200

Tasmania
c/o Gliderol Garage Doors VIC
23 Kitchen Road
Dandenong VIC 3175

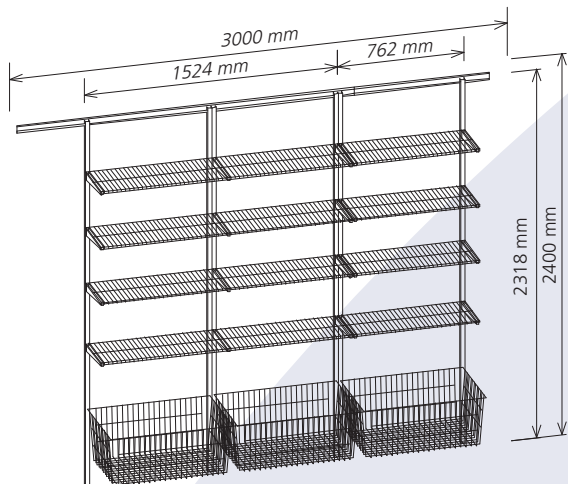
Telephone (03) 9793 5455
Facsimile (03) 9706 8492

Online
Email sales@gliderol.com.au
Website www.gliderol.com.au

GLIDEROL®
GARAGE DOORS
Opening doors around the world

The Company reserves the right to make changes or improvements to the products or accessories without notice and without incurring any obligation to make similar changes or improvements to goods previously ordered.

GLIDEROL® freedomRail®



Module C – 3 Metre

Qty	Colour	Description
4	Granite	305 mm D x 762 mm W Shelf
4	Granite	305 mm D x 1524 mm W Shelf
3	Granite	Deep Work Basket
20	Granite	305 mm VSB Profile Shelf
6	Granite	2286 mm Hanging Upright
1	Granite	813 mm Hanging Rail
1	Granite	2032 mm Hanging Rail
6	White	Screws/Spacers/Anchors Package

Distributed by Gliderol Garage Doors

A division of Gliderol International Pty Ltd
ABN 92 007 928 949

An Australian Manufacturing Company

Head Office
South Australia
32 Jacobson Crescent
Holden Hill SA 5088
Adelaide, South Australia

Telephone (08) 8261 9633
Facsimile (08) 8261 9700

New South Wales

3a Alexander Street
Auburn NSW 2144

Telephone (02) 9644 6533
Facsimile (02) 9644 6544

Newcastle

19 Balook Drive
Beresfield NSW 2322

Telephone (02) 4966 8500
Facsimile (02) 4966 8511

Wollongong

Unit 2
1 Luso Drive
Unanderra NSW 2526

Telephone (02) 4272 3220
Facsimile (02) 4272 3084

Queensland

45 Harvey Street North
Eagle Farm QLD 4009

Telephone (07) 3868 2766
Facsimile (07) 3868 2760

Victoria

23 Kitchen Road
Dandenong VIC 3175

Telephone (03) 9793 5455
Facsimile (03) 9706 8492

Western Australia

21 Prindiville Drive
Wangara WA 6065

Telephone (08) 9409 3000
Facsimile (08) 9409 3200

Tasmania

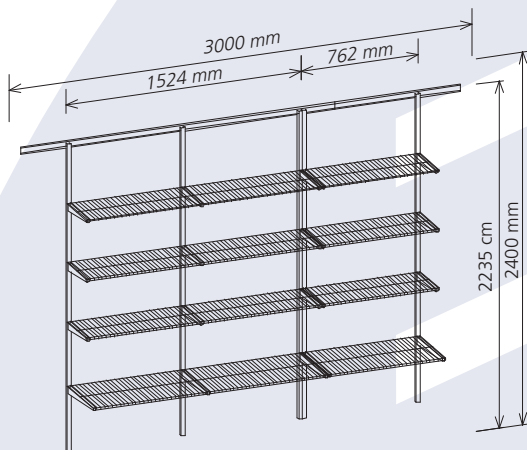
c/o Gliderol Garage Doors VIC
23 Kitchen Road
Dandenong VIC 3175

Telephone (03) 9793 5455
Facsimile (03) 9706 8492

Online

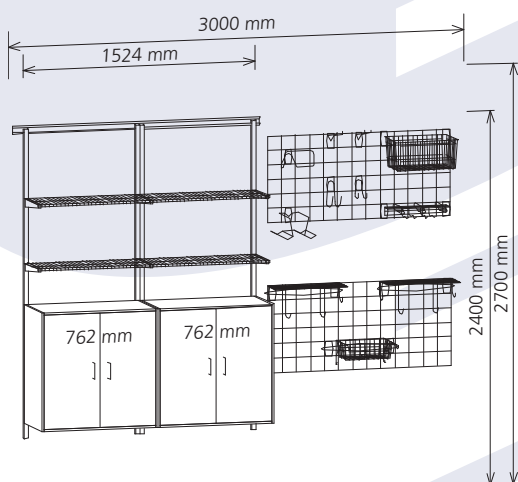
Email sales@gliderol.com.au
Website www.gliderol.com.au

 **GLIDEROL®**
GARAGE DOORS
Opening doors around the world



Module D – 3 Metre

Qty	Colour	Description
3	Granite	305 mm D x 762 mm W Shelf
3	Granite	305 mm D x 1524 mm W Shelf
1	Granite	406 mm D x 762 mm W Shelf
1	Granite	406 mm D x 1524 mm W Shelf
15	Granite	305 mm VSB Profile Shelf
5	Granite	406 mm VSB Profile Shelf
5	Granite	1980 mm Hanging Upright
1	Granite	813 mm Hanging Rail
1	Granite	2032 mm Hanging Rail
6	White	Screws/Spacers/Anchors Package



Module E – 3 Metre

Qty	Colour	Description
2	Granite	305 mm D x 1524 mm W Shelf
1	Granite	The Racquet Rack
1	Granite	The Bike Rack and Basket
1	Granite	The Hand Tool Rack
1	Granite	The Loop Hook
2	Granite	The Shelf with Hooks
2	Granite	The Big Everything Hook
1	Granite	The Work Hook
1	Granite	The Big Work Hook
1	Granite	The Big Basket
2	Granite	Wire Grid
2	Gray	GO-Cabinet
2	Granite	GO-Cabinet Doors (Pair)
6	Granite	305 mm VSB Profile Shelf
4	Granite	1980 mm Hanging Upright
1	Granite	1626 mm Hanging Rail
6	White	Screws/Spacers/Anchors Package

The Company reserves the right to make changes or improvements to the products or accessories without notice and without incurring any obligation to make similar changes or improvements to goods previously ordered.

Gliderol Garage Storage Solutions for the garage or just about anywhere