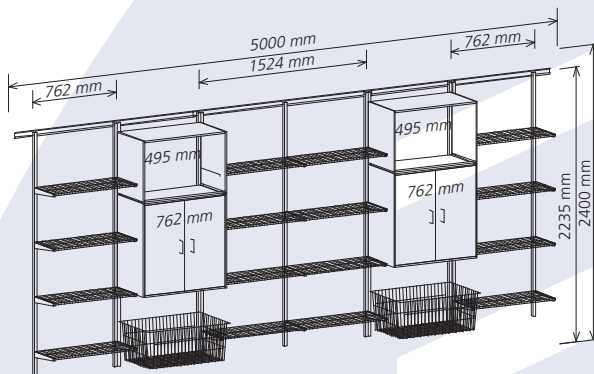




## 5 Metre Wallspace Storage Solutions

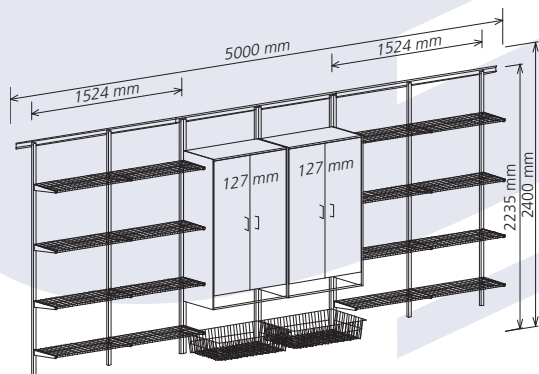
Space saving storage solution ideas that you can mix and match at any time without tools.

- Suspended completely off the floor
- Heavy Duty epoxy coating
- Easy to assemble and install
- Adaptable and changeable
- Heavy gauge steel construction
- Extensive warranty



### Module A – 5 Metre

Qty	Colour	Description
8	Granite	305 mm D x 762 mm W Shelf
4	Granite	305 mm D x 1524 mm W Shelf
2	Granite	Deep Work Basket
2	Gray	GO-Box Cubby
2	Gray	GO-Cabinet
2	Granite	GO-Cabinet Doors (Pair)
28	Granite	305 mm VSB Profile Shelf
11	Granite	1980 mm Hanging Upright
3	Granite	1626 mm Hanging Rail
6	White	Screws/Spacers/Anchors Package



### Module B – 5 Metre

Qty	Colour	Description
8	Granite	305 mm D x 1524 mm W Shelf
2	Granite	Big Work Basket
2	Gray	GO-Locker
2	Granite	GO-Locker Doors (Pair)
24	Granite	305 mm VSB Profile Shelf
10	Granite	1980 mm Hanging Upright
3	Granite	1626 mm Hanging Rail
6	White	Screws/Spacers/Anchors Package

#### Distributed by Gliderol Garage Doors

A division of Gliderol International Pty Ltd  
ABN 92 007 928 949

An Australian Manufacturing Company

**Head Office**  
**South Australia**  
32 Jacobson Crescent  
Holden Hill SA 5088  
Adelaide, South Australia

Telephone (08) 8261 9633  
Facsimile (08) 8261 9700

#### **New South Wales**

3a Alexander Street  
Auburn NSW 2144

Telephone (02) 9644 6533  
Facsimile (02) 9644 6544

#### **Newcastle**

19 Balook Drive  
Beresfield NSW 2322

Telephone (02) 4966 8500  
Facsimile (02) 4966 8511

#### **Wollongong**

Unit 2  
1 Luso Drive  
Unanderra NSW 2526

Telephone (02) 4272 3220  
Facsimile (02) 4272 3084

#### **Queensland**

45 Harvey Street North  
Eagle Farm QLD 4009

Telephone (07) 3868 2766  
Facsimile (07) 3868 2760

#### **Victoria**

23 Kitchen Road  
Dandenong VIC 3175

Telephone (03) 9793 5455  
Facsimile (03) 9706 8492

#### **Western Australia**

21 Prindiville Drive  
Wangara WA 6065

Telephone (08) 9409 3000  
Facsimile (08) 9409 3200

#### **Tasmania**

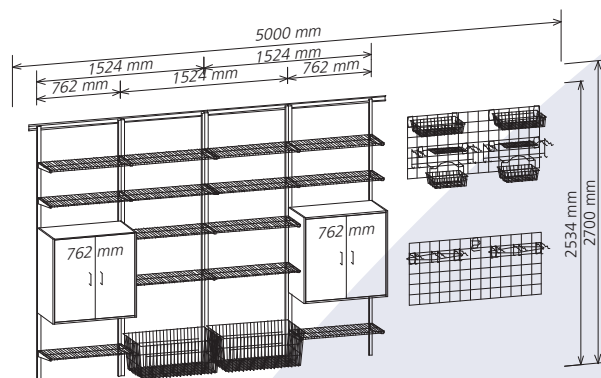
c/o Gliderol Garage Doors VIC  
23 Kitchen Road  
Dandenong VIC 3175

Telephone (03) 9793 5455  
Facsimile (03) 9706 8492

#### **Online**

Email [sales@gliderol.com.au](mailto:sales@gliderol.com.au)  
Website [www.gliderol.com.au](http://www.gliderol.com.au)

# GLIDEROL® freedomRail®



## Module C – 5 Metre

Qty	Colour	Description
2	Granite	305 mm D x 762 mm W Shelf
6	Granite	305 mm D x 1524 mm W Shelf
2	Granite	The Garden Rack and Basket
1	Granite	The Grip Everything Hook
2	Granite	The Big Tool Rack
2	Granite	The Basket
2	Granite	Wire Grid
2	Granite	Deep Work Basket
2	Gray	GO-Cabinet
2	Granite	GO-Cabinet Doors (Pair)
22	Granite	305 mm VSB Profile Shelf
8	Granite	2286 mm Hanging Upright
2	Granite	1626 mm Hanging Rail
6	White	Screws/Spacers/Anchors Package

## Distributed by Gliderol Garage Doors

A division of Gliderol International Pty Ltd  
ABN 92 007 928 949

An Australian Manufacturing Company

**Head Office**  
**South Australia**  
32 Jacobson Crescent  
Holden Hill SA 5088  
Adelaide, South Australia

Telephone (08) 8261 9633  
Facsimile (08) 8261 9700

**New South Wales**  
3a Alexander Street  
Auburn NSW 2144

Telephone (02) 9644 6533  
Facsimile (02) 9644 6544

**Newcastle**  
19 Balook Drive  
Beresfield NSW 2322

Telephone (02) 4966 8500  
Facsimile (02) 4966 8511

**Wollongong**  
Unit 2  
1 Luso Drive  
Unanderra NSW 2526

Telephone (02) 4272 3220  
Facsimile (02) 4272 3084

**Queensland**  
45 Harvey Street North  
Eagle Farm QLD 4009

Telephone (07) 3868 2766  
Facsimile (07) 3868 2760

**Victoria**  
23 Kitchen Road  
Dandenong VIC 3175

Telephone (03) 9793 5455  
Facsimile (03) 9706 8492

**Western Australia**  
21 Prindville Drive  
Wangara WA 6065

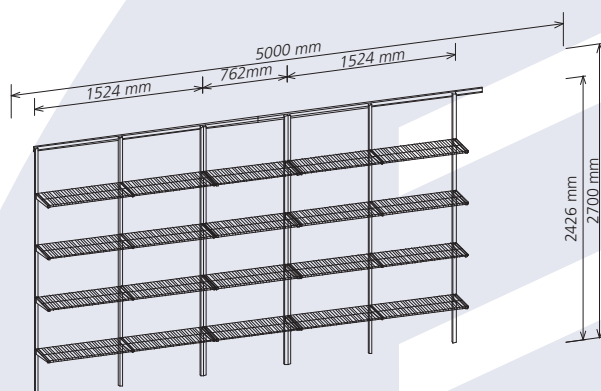
Telephone (08) 9409 3000  
Facsimile (08) 9409 3200

**Tasmania**  
c/o Gliderol Garage Doors VIC  
23 Kitchen Road  
Dandenong VIC 3175

Telephone (03) 9793 5455  
Facsimile (03) 9706 8492

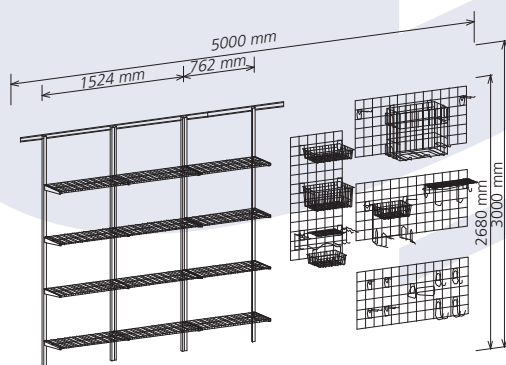
**Online**  
Email [sales@gliderol.com.au](mailto:sales@gliderol.com.au)  
Website [www.gliderol.com.au](http://www.gliderol.com.au)

**GLIDEROL®**  
**GARAGE DOORS**  
Opening doors around the world



## Module D – 5 Metre

Qty	Colour	Description
4	Granite	305 mm D x 762 mm W Shelf
8	Granite	305 mm D x 1524 mm W Shelf
32	Granite	305 mm VSB Profile Shelf
8	Granite	2286 mm Hanging Upright
2	Granite	2032 mm Hanging Rail
6	White	Screws/Spacers/Anchors Package



## Module E – 5 Metre

Qty	Colour	Description
4	Granite	305 mm D x 762 mm W Shelf
4	Granite	305 mm D x 1524 mm W Shelf
1	Granite	The Sports Rack and Basket
1	Granite	The Garden Rack and Basket
1	Granite	The Loop Hook
1	Granite	The Shelf with Hooks
1	Granite	The Everything Hook
4	Granite	The Big Everything Hook
2	Granite	The Work Hook
2	Granite	The Big Work Hook
1	Granite	The Basket
1	Granite	The Big Basket
4	Granite	Wire Grid
20	Granite	305 mm VSB Profile Shelf
6	Granite	2286 mm Hanging Upright
1	Granite	2032 mm Hanging Rail
1	Granite	813 mm Hanging Rail
6	White	Screws/Spacers/Anchors Package

The Company reserves the right to make changes or improvements to the products or accessories without notice and without incurring any obligation to make similar changes or improvements to goods previously ordered.

**Gliderol Garage Storage Solutions for the garage or just about anywhere**